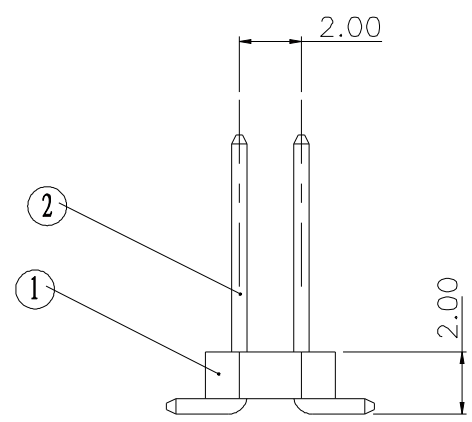
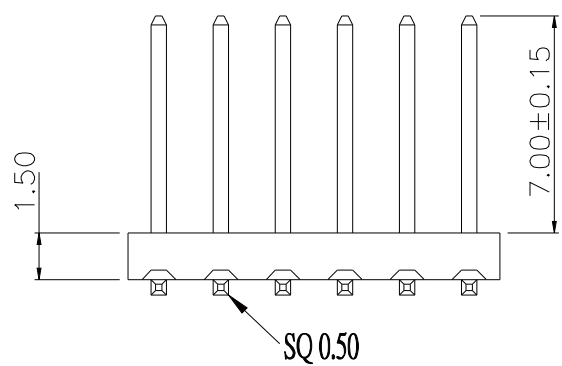
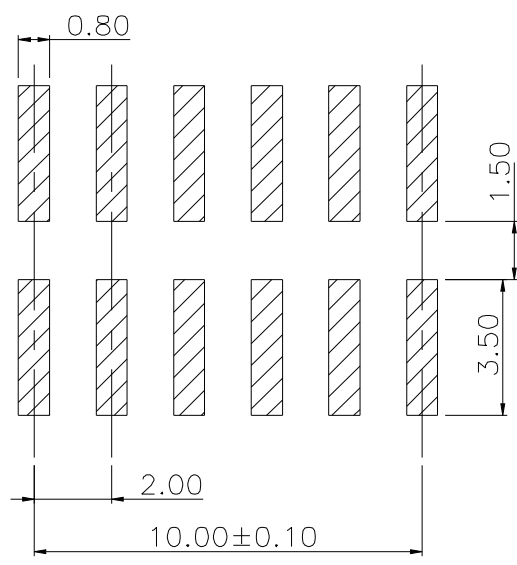
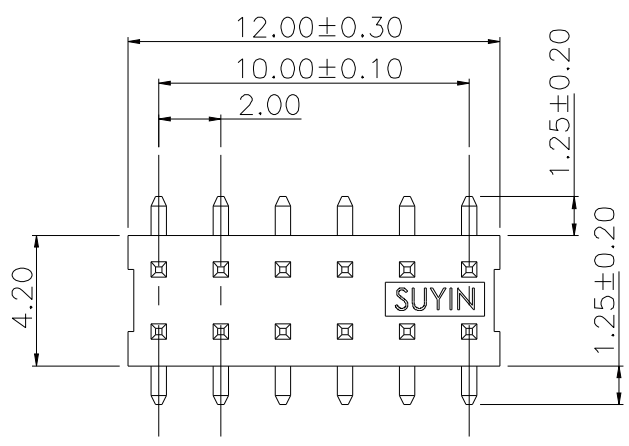




**RoHS Compliant**  
2002/95/EC  
**HSF**

Level-1 Controlled Substances are banned

RECOMMENDED P.C.B LAYOUT



3				
2	TERMINAL	BRASS		GOLD PLATED
1	PLASTIC	HIGH TEMP. PLASTIC	BLACK	UL 94V-0
NO. DESCRIPTION		MATERIAL	COLOR	REMARK

**SUYIN**  
CONNECTOR

CUSTOMER COPY	TITLE: 2.00mm PITCH PIN HEADER			
PART NO.		200109MA012G2B1ZR		
PRODUCT SPEC.		200109MA/20009A		
FILE NAME.	DWG	200109MA012G2B1ZR		
SCALE	4:1	UNIT:mm	A4	SHEET: 1 of 2

					Angle	±2°	DRAW	黃宇	08'/03/12
					30 ~	±0.50	DESIGN	黃宇	08'/03/12
	0		NEW RELEASE	黃宇 鄭家奇	10 ~ 30	±0.30	CHECK	杜朝紅	08'/03/12
	PO	07'/12/04	NEW	黃宇 鄭家奇	~ 10	±0.15	APPRO.	鄭家奇	08'/03/12
ECN(DCN) NO.	REV	DATE	DESCRIPTION	CHANGE	APPRO.	GENERAL TOLERANCE UNLESS OTHERWISE NOTED	APPRO.	鄭家奇	08'/03/12